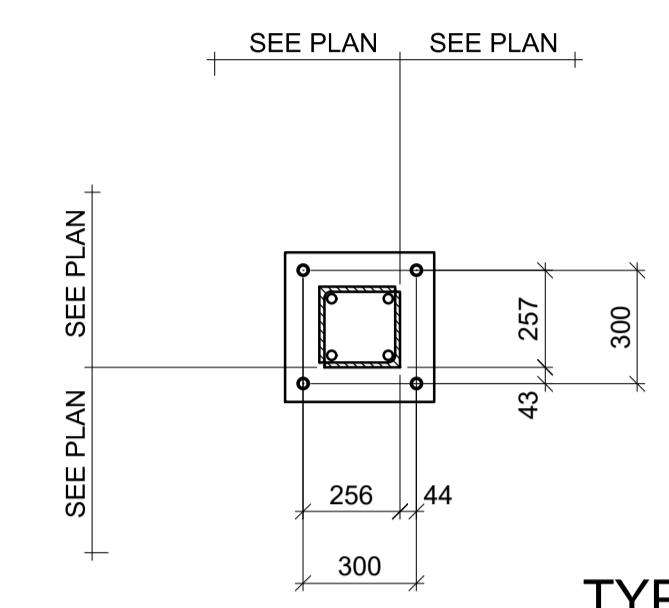
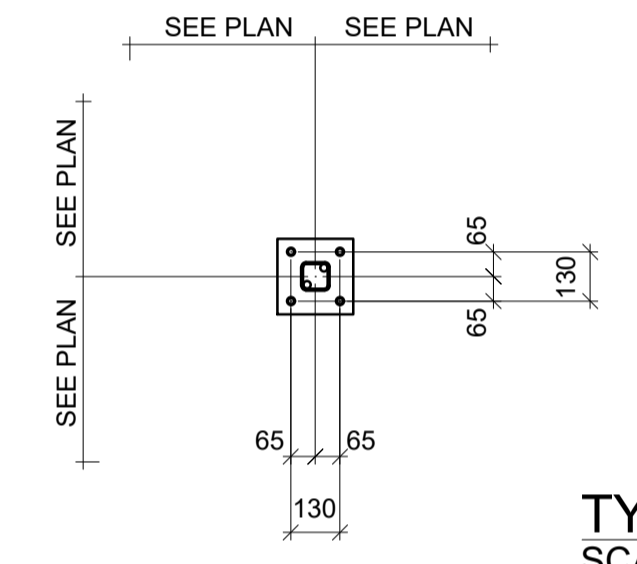


TYPE - A
 3 OFF
 4 / M24 HD BOLT x 621 (8.8)
 85 PROJECTION AND THREAD
 500 EMBEDMENT
 20 GROUT
 R6 CAGE
 130 x 16 SQ WASHER AT BASE



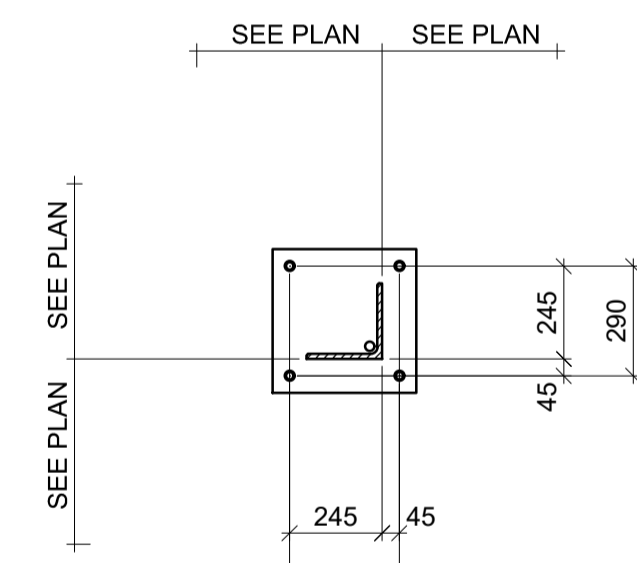
TYPE 'A'
 SCALE 1:20

TYPE - B
 2 OFF
 4 / M16 HD BOLT x 295 (8.8)
 200 EMBEDMENT
 75 PROJECTION & THREAD
 20 GROUT
 R6 CAGE
 75x10 SQ WASHER AT BASE



TYPE 'B'
 SCALE 1:20

TYPE - C
 1 OFF
 4 / M20 HD BOLT x 607 (8.8)
 75 PROJECTION AND TRHEAD
 500 EMBEDMENT
 R6 CAGE
 90 x 12 SQ WASHER AT BASE



TYPE 'C'
 SCALE 1:20

ALL ANCHOR BOLTS TO BE SUPPLIED GALVANISED

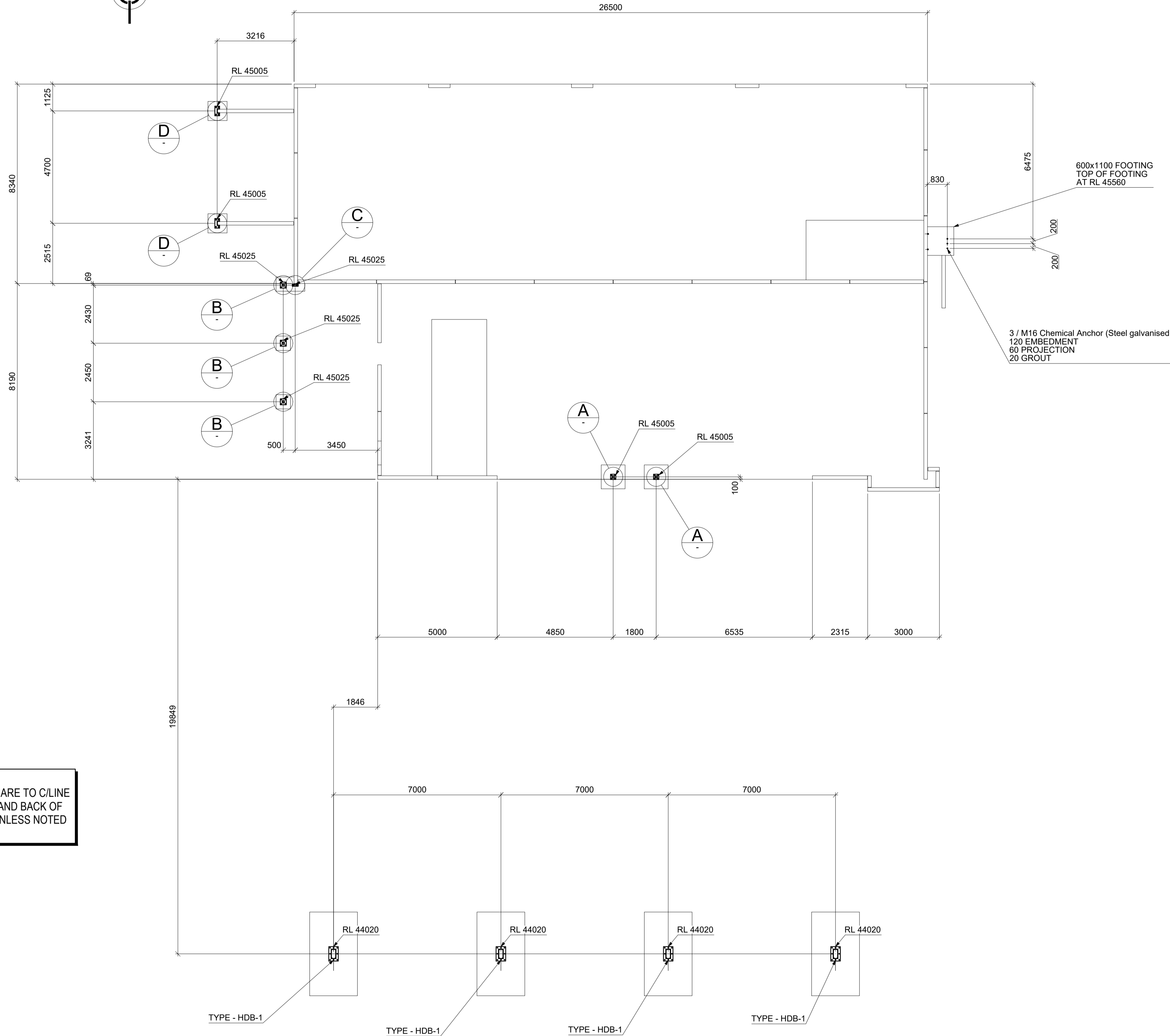
HOLDING DOWN BOLTS PLAN
 (RL'S SHOWN ARE TO U/SIDE OF BASE PLATE)
 SCALE 1:50

Index	Description	Date
2	GENERAL REVISION - FOR CONSTRUCTION	28/07/2019
1	ISSUED FOR CONSTRUCTION	25/07/2019
A	ISSUED FOR APPROVAL	22/07/2019

GENERAL NOTES:
 1. ALL NUMBER MARKS ARE TO BE ON THE TOP NORTH OR TOP WEST END OF BEAMS, AND AT THE BASE OF COLUMNS NORTH OR WEST FACE.
 2. ALL WEB CLEATS ARE TO BE ON THE NORTH OR WEST FACE OF BEAMS AND BACK OF CHANNELS UNLESS SHOWN OTHERWISE.



PROJECT NAME		Drawing No :	
JOB DESCRIPTION FIRST LINE		SF-HD001	
JOB DESCRIPTION SECOND LINE		Detailer:	Checker:
SITE DETAILS		Date:	18/07/2019
DO NOT SCALE - IF IN DOUBT ASK		Scale:	1:20, 1:50
Client/Job Number	Job/Project Number	Rev:	A1 2

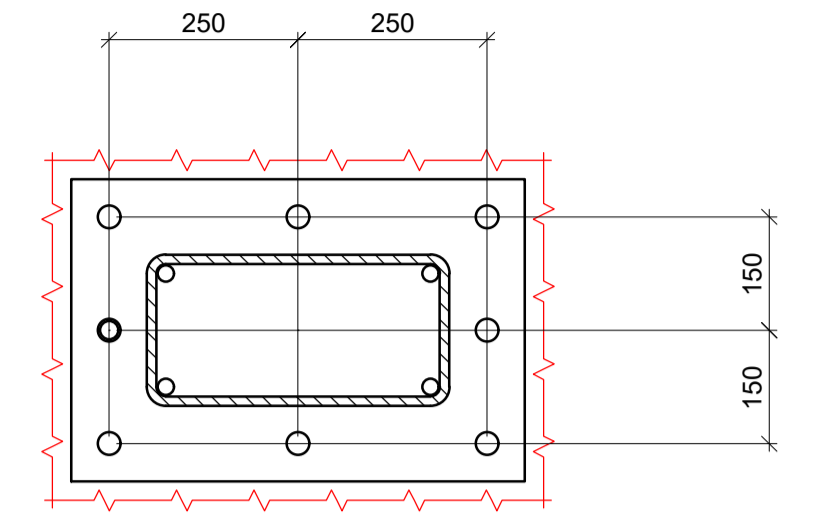


HOLDING DOWN BOLTS PLAN
(RL'S SHOWN ARE TO U/SIDE OF BASE PLATE)
SCALE 1:100

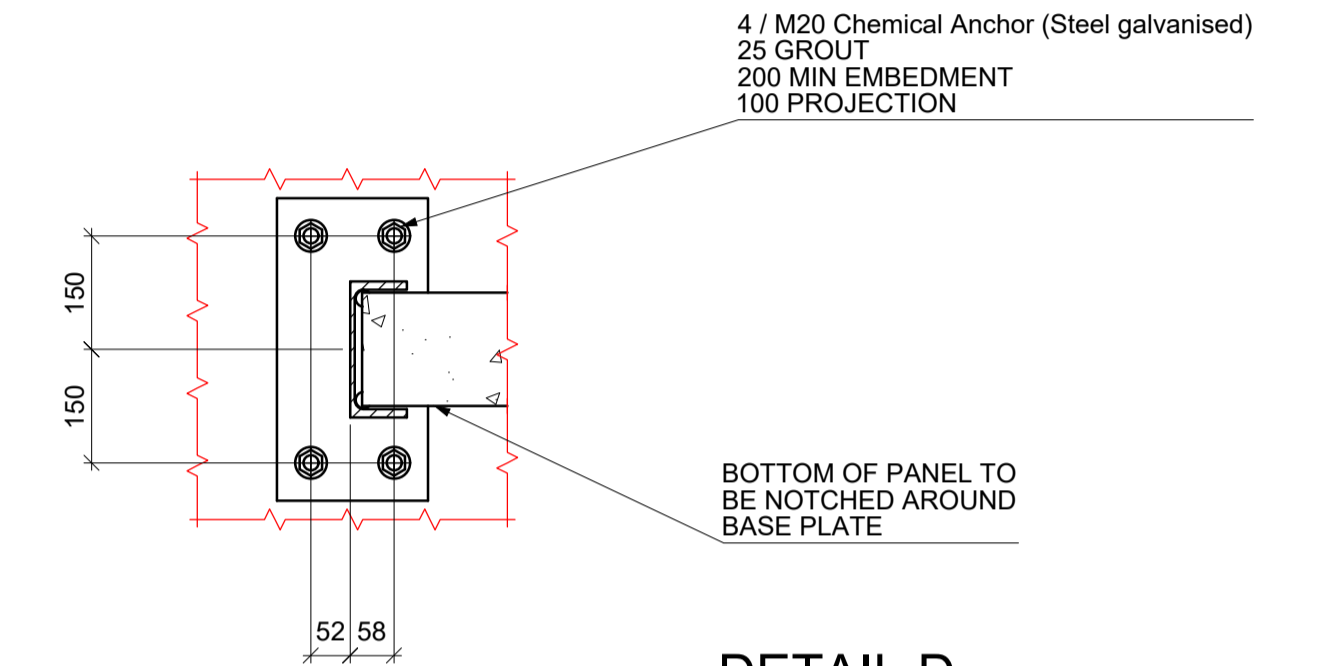
TYPE - HDB-1

4 OFF
8 / M24 HD BOLT x 1124 (4.6)
20 GROUT
95 PROJECTION AND THREAD
600 EMBEDMENT
450 COG
R6 CAGE

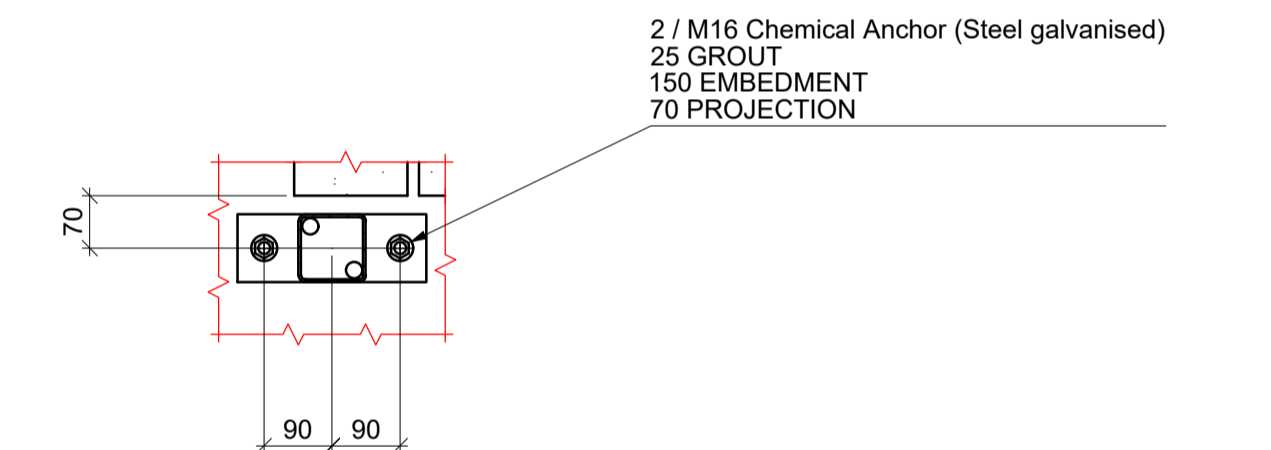
ORIENTATE COGS AWAY FROM COL C/LINE (TYP)



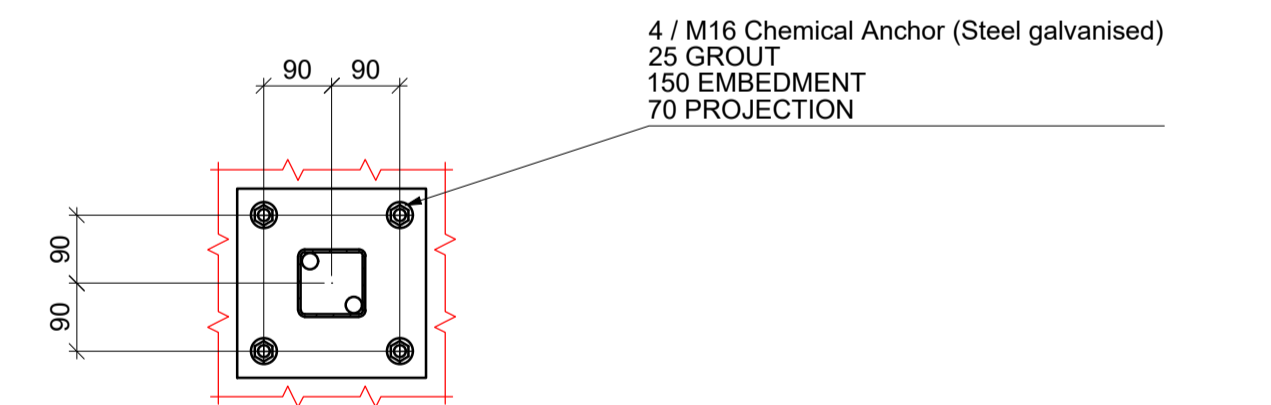
HDB-1 DETAIL
SCALE 1:10



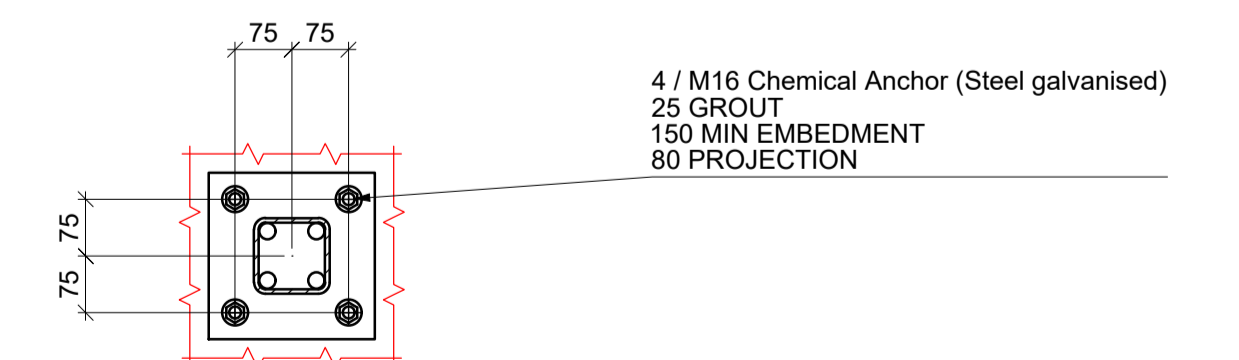
DETAIL D
SCALE 1:10



DETAIL C
SCALE 1:10



DETAIL B
SCALE 1:10



DETAIL A
SCALE 1:10

NOTE:
DIMENSIONS ARE TO C/LINE OF COLUMN AND BACK OF CHANNELS UNLESS NOTED OTHERWISE

Index	Description	Date
1	ISSUED FOR CONSTRUCTION	22/11/2019
A	ISSUED FOR APPROVAL	14/11/2019

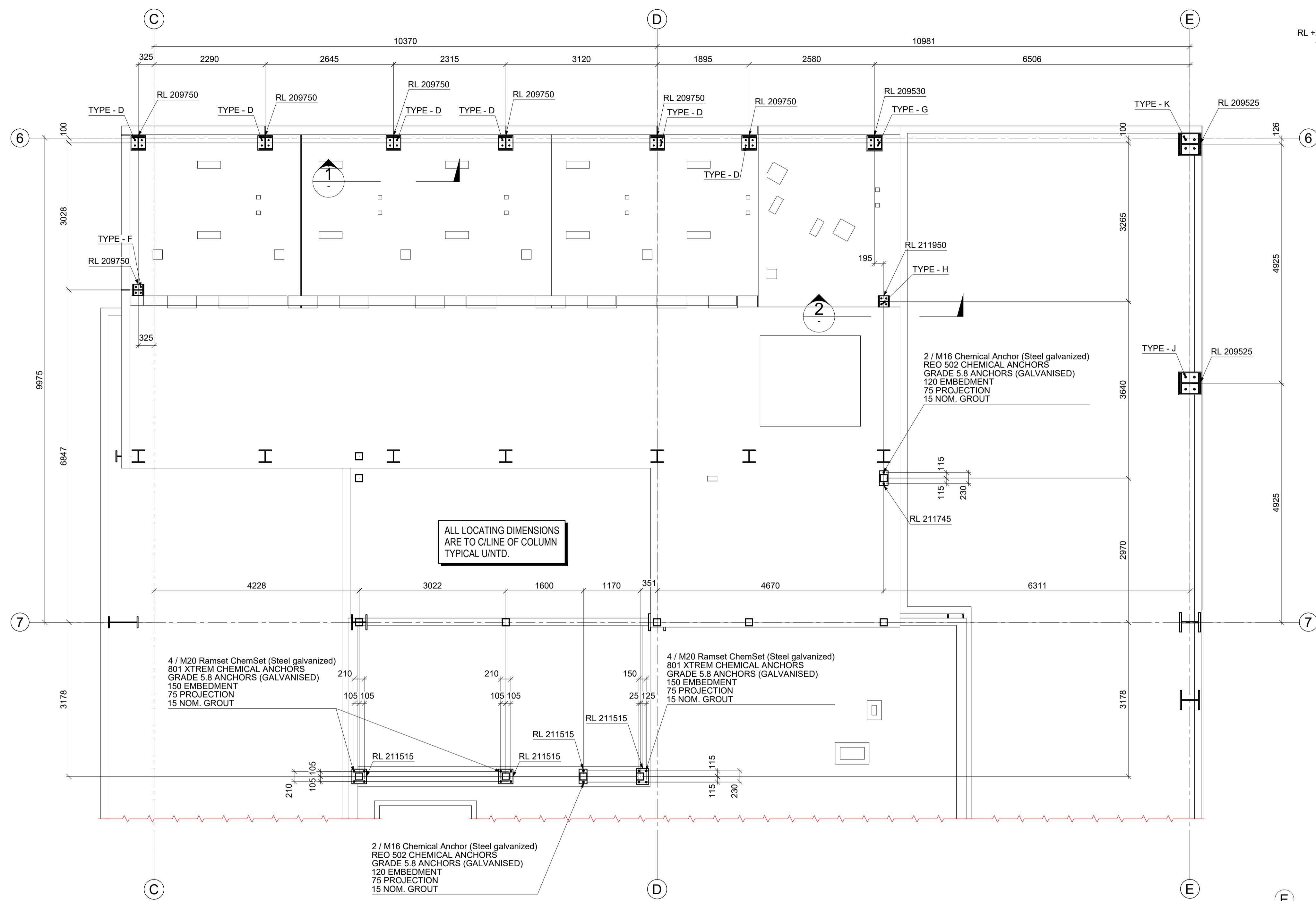
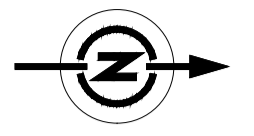
GENERAL NOTES:
1. ALL NUMBER MARKS ARE TO BE ON THE TOP NORTH OR TOP WEST END OF BEAMS, AND AT THE BASE OF COLUMNS NORTH OR WEST FACE.
2. ALL WEB CLEATS ARE TO BE ON THE NORTH OR WEST FACE OF BEAMS AND BACK OF CHANNELS UNLESS SHOWN OTHERWISE.

CLIENT LOGO HERE

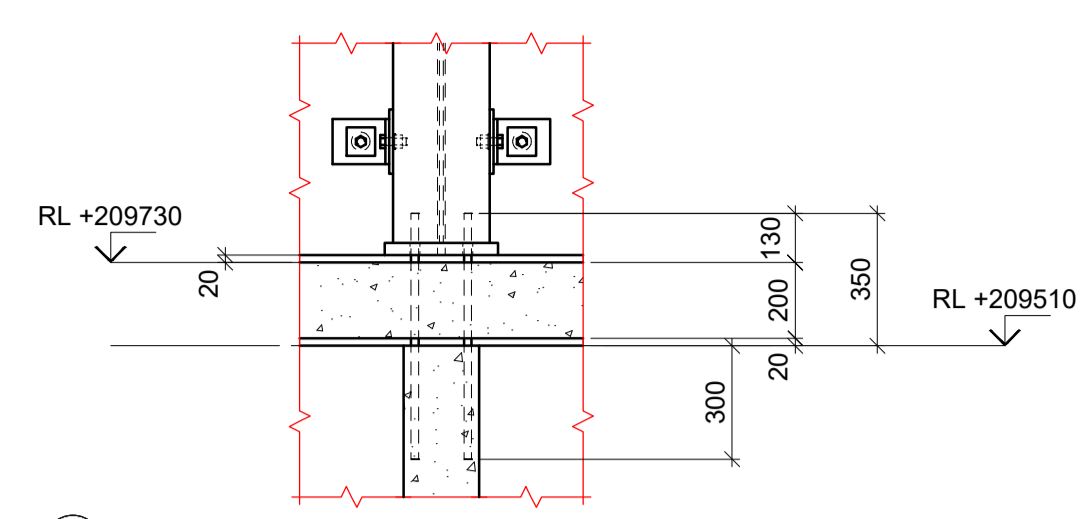


PROJECT INFORMATION HERE

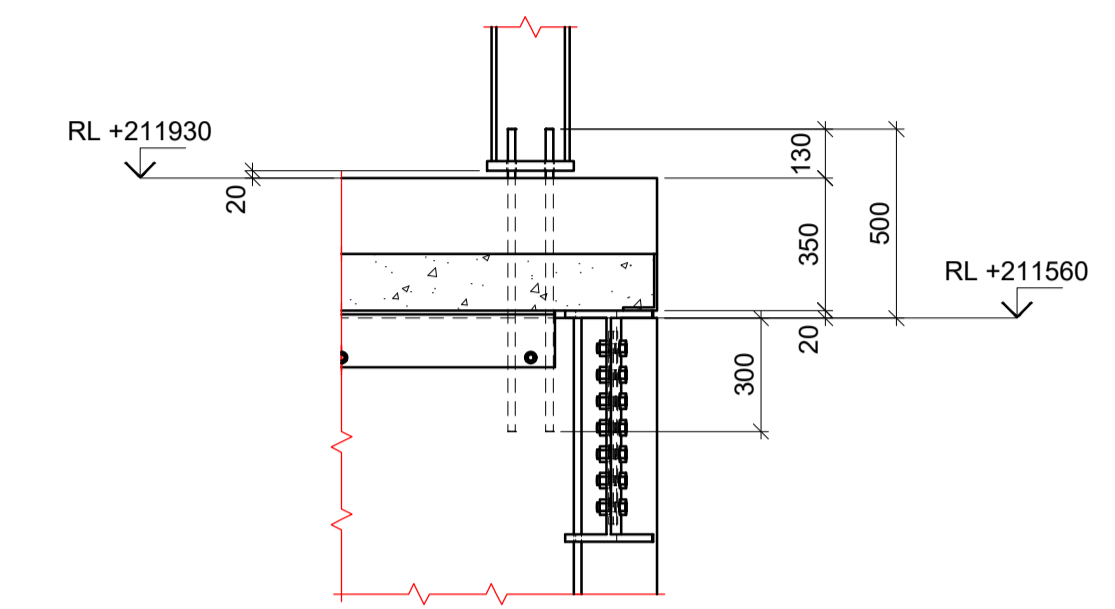
Drawing No: HD-001		Rev: 1
Detailed: 12/11/2019	Checked: S.F.	Scale: 1:10, 1:100
Client Ref: 19-020	Job No: 19-020	



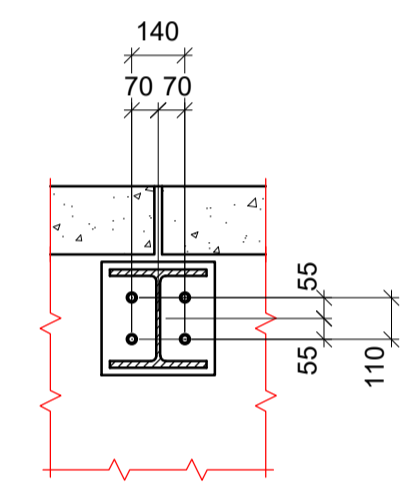
HOLDING DOWN BOLTS PLAN (LEVEL 41)
(RL'S SHOWN ARE TO U/SIDE OF BASE PLATE)
SCALE 1:50



DETAIL 1
SCALE 1:20

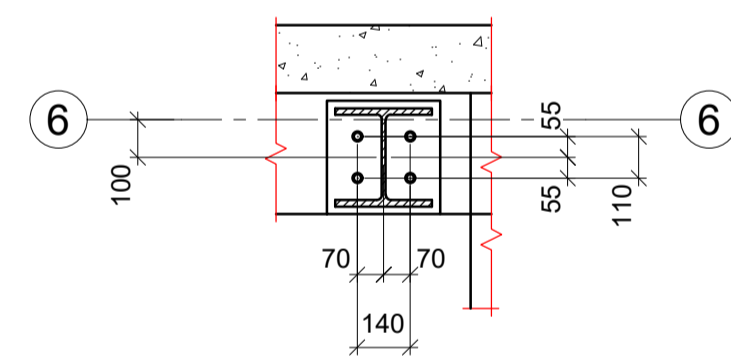


DETAIL 2
SCALE 1:20



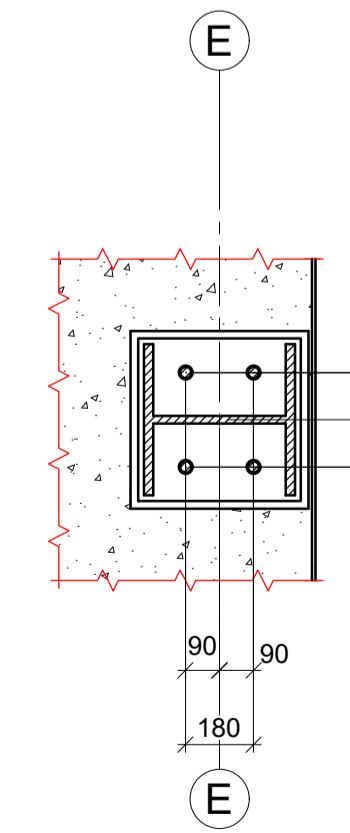
TYPE - D
6 OFF
4 / M20 HD BOLT x 650 (4.6)
HEX NUT AT BASE (AS WASHER)
300 EMBEDMENT
350 PROJECTION - 130 THREAD - H.D. GALVANISED
20 NOM. GROUT
R6 CAGE

TYPE D
SCALE 1:20



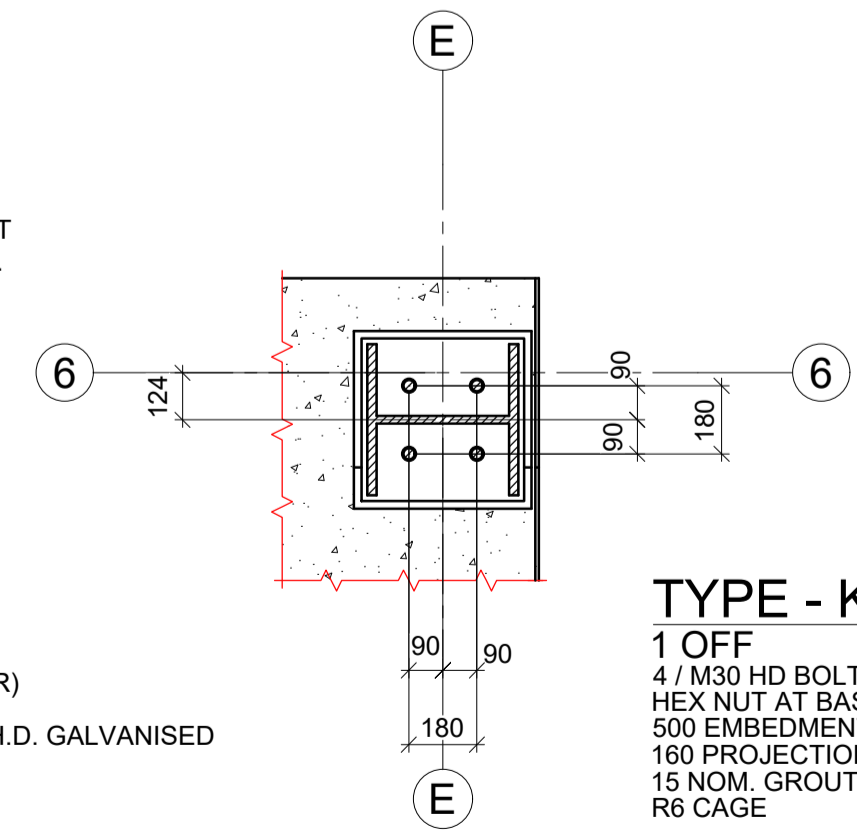
TYPE - G
1 OFF
4 / M20 HD BOLT x 430 (4.6)
HEX NUT AT BASE (AS WASHER)
300 EMBEDMENT
130 PROJECTION & THREAD - H.D. GALVANISED
20 NOM. GROUT
R6 CAGE

TYPE G
SCALE 1:20



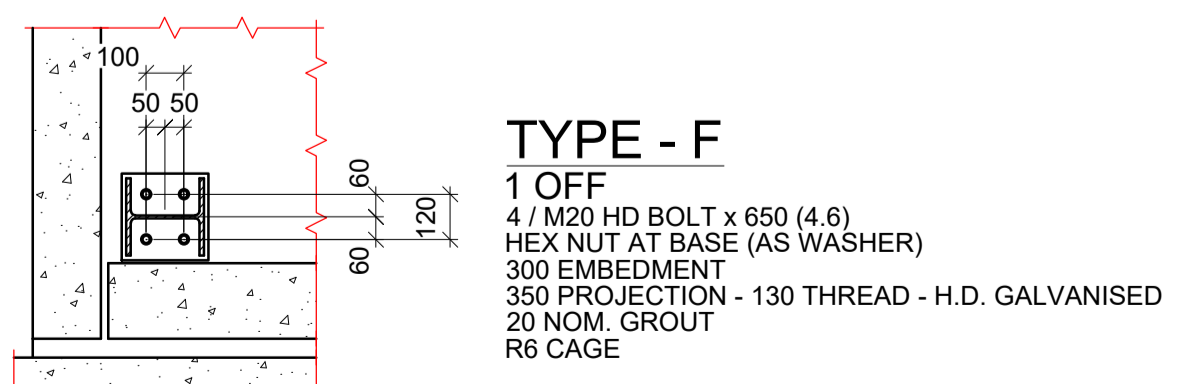
TYPE - J
1 OFF
4 / M30 HD BOLT x 660 (4.6)
HEX NUT AT BASE (AS WASHER)
500 EMBEDMENT
160 PROJECTION & THREAD - H.D. GALVANISED
15 NOM. GROUT
R6 CAGE

TYPE J
SCALE 1:20



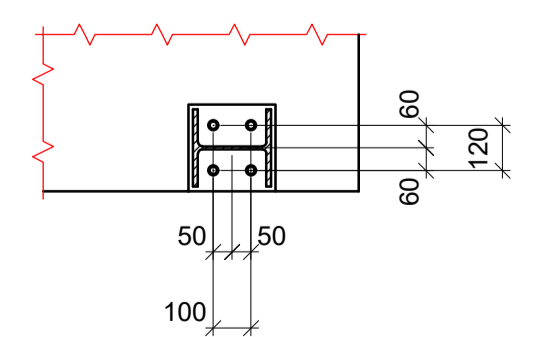
TYPE - K
1 OFF
4 / M30 HD BOLT x 660 (4.6)
HEX NUT AT BASE (AS WASHER)
500 EMBEDMENT
160 PROJECTION & THREAD - H.D. GALVANISED
15 NOM. GROUT
R6 CAGE

TYPE K
SCALE 1:20



TYPE - F
1 OFF
4 / M20 HD BOLT x 650 (4.6)
HEX NUT AT BASE (AS WASHER)
300 EMBEDMENT
350 PROJECTION - 130 THREAD - H.D. GALVANISED
20 NOM. GROUT
R6 CAGE

TYPE F
SCALE 1:20

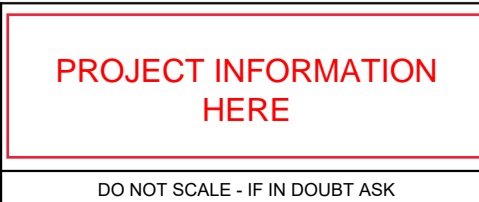


TYPE - H
1 OFF
4 / M20 HD BOLT x 800 (4.6)
HEX NUT AT BASE (AS WASHER)
300 EMBEDMENT
500 PROJECTION - 130 THREAD - H.D. GALVANISED
20 NOM. GROUT (NO CAGE)
REFER TO L41.09 ON S6455 - BOLTS ARE TO BE CAST INTO PRECAST PANEL!

TYPE H
SCALE 1:20

Index	Description	Date
3	ISSUED FOR CONSTRUCTION	8/08/2019
2	ISSUED FOR CONSTRUCTION	1/08/2019
1	ISSUED FOR CONSTRUCTION	10/05/2019
A	ISSUED FOR APPROVAL	3/05/2019

GENERAL NOTES:
1. ALL DIMENSION MARKS ARE TO BE ON THE TOP NORTH OR TOP WEST END OF BEAMS, AND AT THE BASE OF COLUMNS NORTH OR WEST FACE.
2. ALL VIEW CLEATS ARE TO BE ON THE NORTH OR WEST FACE OF BEAMS AND BACK OF CHANNELS UNLESS SHOWN OTHERWISE.



© COPYRIGHT STEELFORCE INDUSTRY SOLUTIONS P/L 2019. ALL RIGHTS RESERVED.

Drawing No: SF-L41-HD001	
Checked: S.F.	Date: 3/05/2019
Client Ref: 5325	Job No: 17-025

DO NOT SCALE - IF IN DOUBT ASK

Drawings produced with Advance Steel®