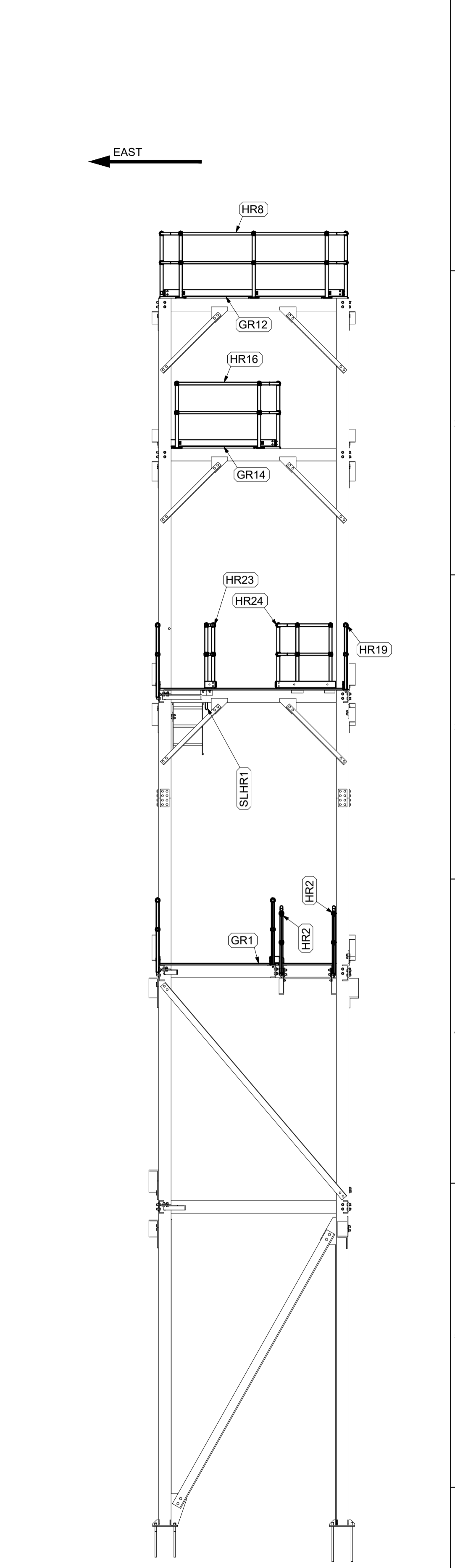
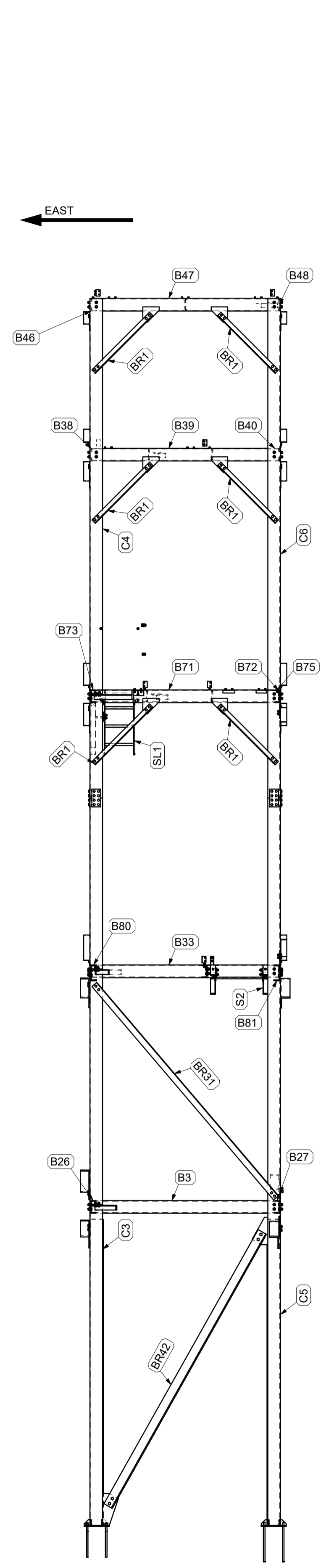
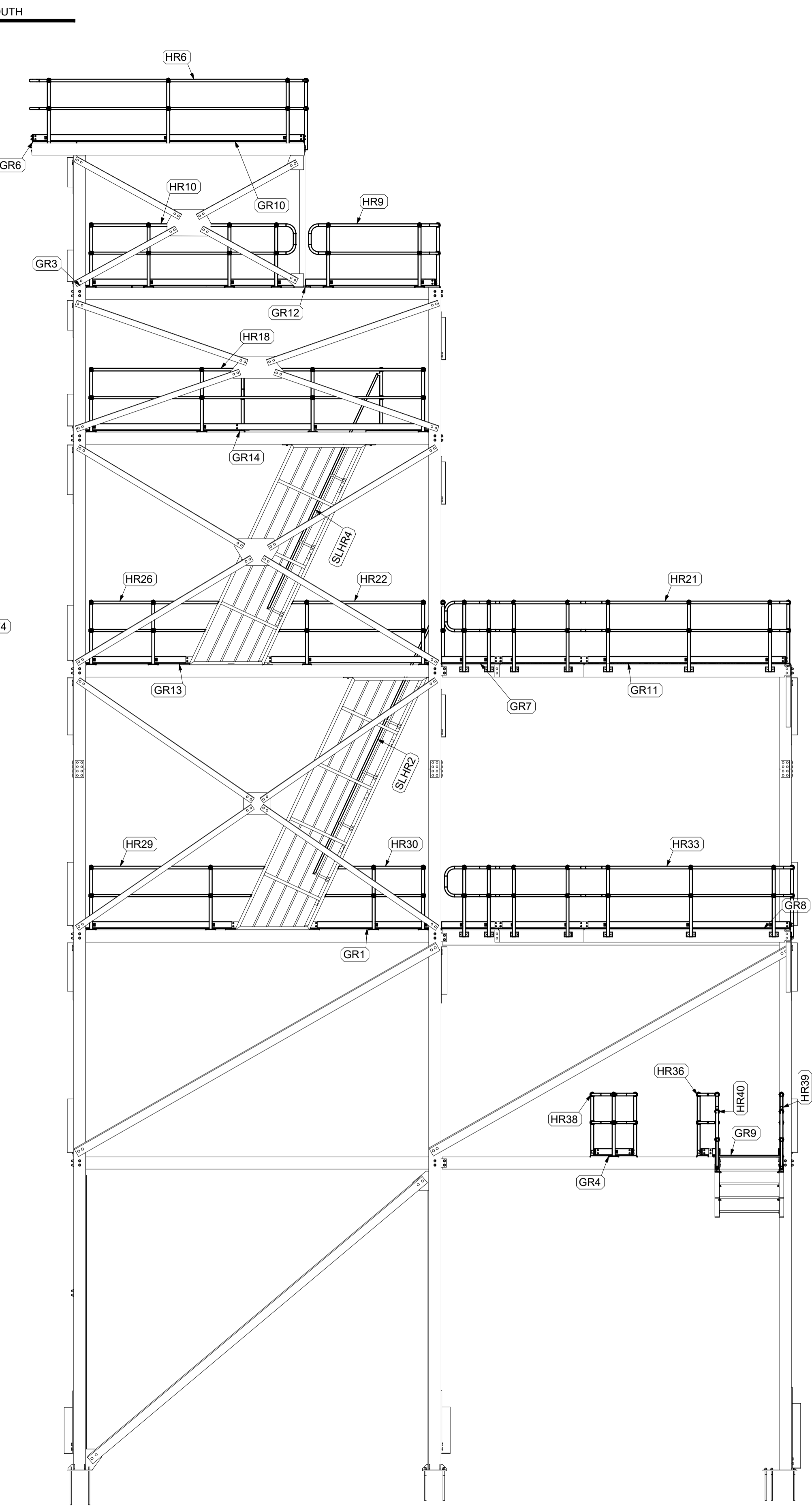


ELEVATION 4 MARKING PLAN
SCALE 1:50



Index	Description	Date
2	GENERAL REVISION - FOR CONSTRUCTION	20/07/2019
1	ISSUED FOR CONSTRUCTION	25/07/2019
A	ISSUED FOR APPROVAL	22/07/2019

GENERAL NOTES:
1. ALL MEMBER MARKS ARE TO BE ON THE TOP NORTH OR TOP WEST END OF BEAMS, AND AT THE BASE OF COLUMNS NORTH OR WEST FACE.
2. ALL WEB CLEATS ARE TO BE ON THE NORTH OR WEST FACE OF BEAMS AND BACK OF CHANNELS UNLESS SHOWN OTHERWISE.



JWM FORRESTFIELD - PERTH WA
TOWER STRUCTURE
STEELWORK DETAILS
SITE DETAILS

© COPYRIGHT STEELFORCE INDUSTRY SOLUTIONS P/L 2019. ALL RIGHTS RESERVED.

Drawing No: 1457-MP006	
Detailed: Darren	Date: 18/07/2019
Checked: S.F.	Scale: 1:20, 1:50
Client Ref: 1457	Job No: 19-010

Rev: A1 2

DO NOT SCALE - IF IN DOUBT ASK

Drawings produced with Advance Steel